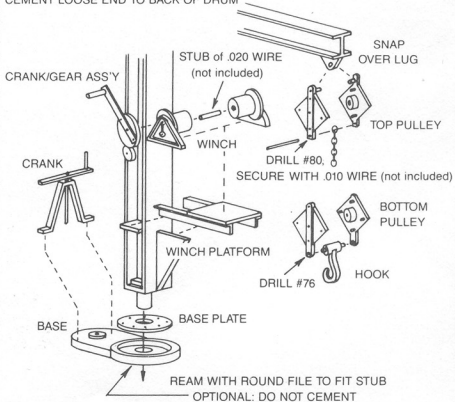


ASSEMBLY

SCRAPE PARTING LINES FOR BETTER APPEARANCE

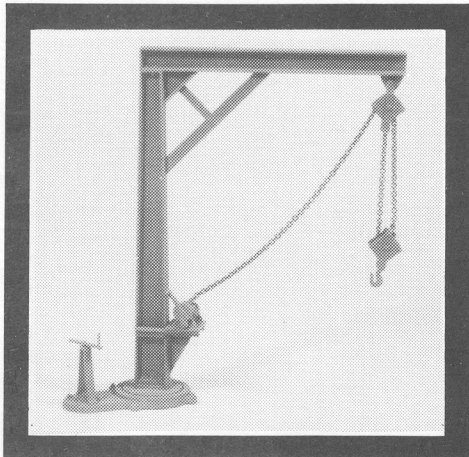
CEMENT PULLEYS, LET DRY, THEN ASSEMBLE CHAIN

WRAP CHAIN AROUND DRUM, SECURE WITH ACC, TRIM EXCESS. AFTER STRINGING CHAIN THRU PULLEYS, CEMENT LOOSE END TO BACK OF DRUM



SUGGESTED COLOR: RUSTY BROWN, LOTS OF RUST STREAKS, OVERSPRAY

TICHY TRAIN GROUP



JIB CRANE

KIT #8007

Based on prototype in AT&SF maintenance yard in Santa Fe, New Mexico