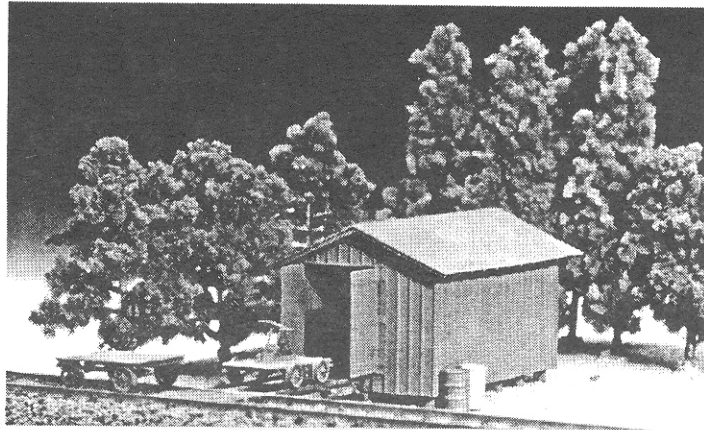


# KIT 7011 HANDCAR SHED HANDCAR TRAILER



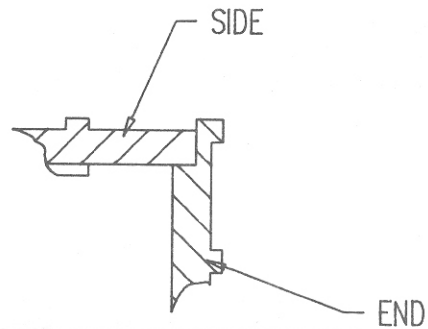
This kit recreates the C&O's standard handcar shed. They were used throughout the system during the steam era. Some continue to exist.

Original plans may be found in *Mainline Modeler*, June 1986. A site plan appears in the February 1989 issue. In Thomas Dixon's C&O book, photos appear on pages 37, 43, and 98.

Construction:

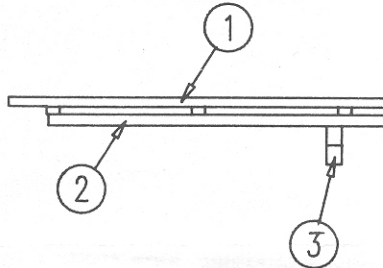
1. Remove sides and ends. Smooth gates and overflows with a flat file. Do not remove doors at this time, as they are marked left and right on the sprue.

2. Assemble sides to ends. Use liquid cement applied to the inside of the joint. Be sure the ridge on the sides is down. See joint detail at right.



3. Remove base and smooth gates. Drop inside wall assembly from bottom with rails inside the door opening. Glue with liquid cement from bottom.
4. Remove roof and trim gates. Center roof rafters on side battens and cement in place. Hold until cement sets.
5. Remove left door and cement in place. Door may be glued in an open or shut position. Repeat for right door.

- 6.** The sidetrack is designed to be used between the shed and code 83 or 100 track on standard cork. Remove parts (2) and (3) with a sharp knife. Square ends with a flat file. Center (3) under the crosspiece on (2) and glue in place. Tall dimension is vertical. Remove part (1) and square ends with file. Center on top of (2) and line up ends at the end with the cross support. Glue in place.



- 7.** Painting: Tarpaper roof - Grimy Black. Walls - your RR's standard structure color (red or depot buff are good). Pilings - Grimy Black. Side track - Grimy Black or Stained Wood color.

- 8.** Final Assembly. Glue side track down with top rails against side of main track. Glue shed down with internal rails lined up with side track. Glue platform (4) centered between main track rails.

- 9.** Assemble handcar and trailer according to separate instructions enclosed. Place as desired.

If you should irreparably damage or lose a part it will be replaced without charge. Please return the part/s to us with \$1.50 for shipping and handling — a replacement will be sent immediately. And, do drop us a line, we enjoy hearing from you with ideas, comments and suggestions for new products.

Copyright © 1992 TICHY TRAIN GROUP. All rights reserved. Any duplication of this kit or any of the component parts directly or indirectly, by rubber, wax, plastic or any other reproductive media for commercial purposes is expressly prohibited without consent in writing from TICHY TRAIN GROUP.

Made and printed with pride in the UNITED STATES OF AMERICA.

**TICHY  
TRAIN  
GROUP**