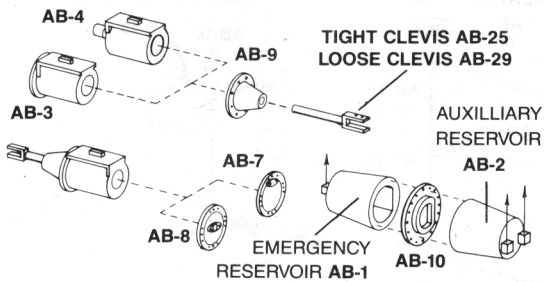


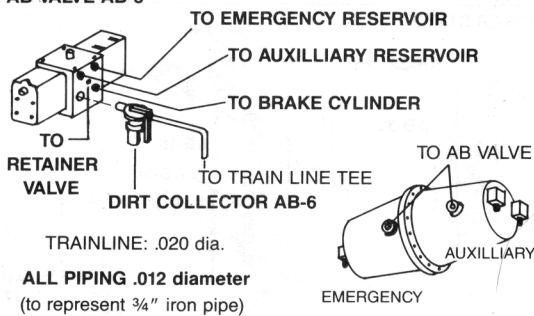
# TYPE "AB" BRAKE SYSTEM PART #3013

The major components are provided as multi-part assemblies to best represent the detail of the prototype, as well as allow you options to suit your specific application. The illustrations are a guideline only — refer to drawings and photos for your prototype. Several parts are included that are unique to specific TICHY TRAIN GROUP kits, and are referenced in the kit instructions.

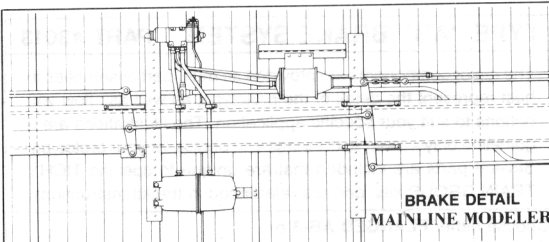
Choose either **FLANGED AB-3** or **CAST AB-4** (modern) **BRAKE CYLINDER**



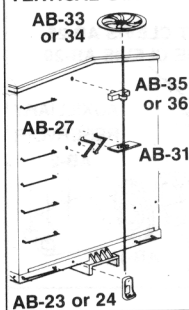
## AB VALVE AB-5



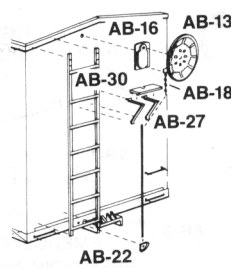
TICHY TRAIN GROUP 55 KENNEDY DRIVE, HAUPPAUGE, NY 11788



## VERTICAL STAFF

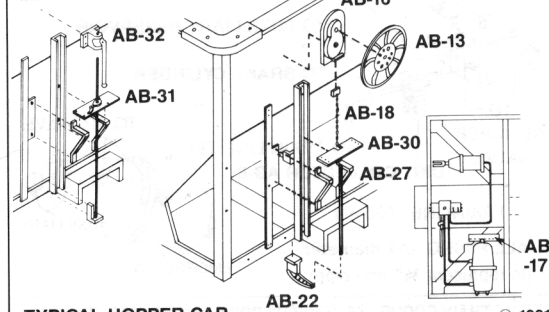


## AJAX POWER HANDBRAKE



## TYPICAL HOUSE CAR

## MINER STYLE



## TYPICAL HOPPER CAR

© 1991