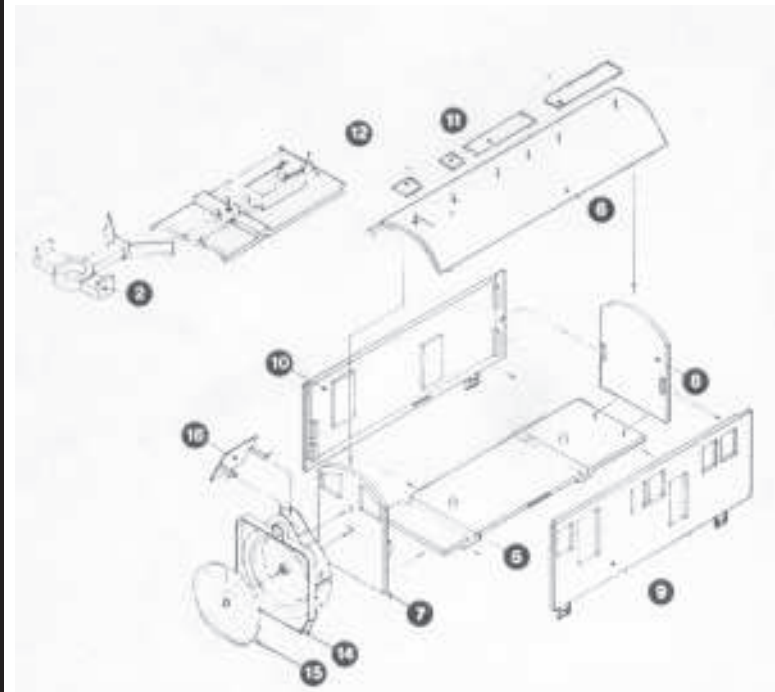


# KIT #2705 ROTARY SNOW PLOW



## PLEASE READ BEFORE ASSEMBLY

USE ONLY LIQUID CEMENT FOR PLASTICS  
APPLY CEMENT SPARINGLY WITH A SMALL BRUSH  
CAREFULLY TRIM AND FIT ALL PARTS BEFORE ASSEMBLY  
USE ONLY PAINT THAT IS COMPATIBLE WITH STYRENE  
PLASTIC. SPRAY PAINTING IS RECOMMENDED.  
TRIM PARTS CAREFULLY FROM THE RUNNERS WITH A  
SHARP POINTED MODELER'S KNIFE. DO NOT TWIST OFF.  
REMOVE PARTS ONLY AS NEEDED.

## PROTOTYPE HISTORY

THE ROTARY SNOWPLOW WAS THE ULTIMATE  
SNOWFIGHTING MACHINE, USED BY MANY RAILROADS  
FROM 1887 TO THE PRESENT. IT WAS INVENTED BY MR.  
JULL IN 1884 AND VERSIONS WERE PRODUCED BY  
SEVERAL COMPANIES. ALL OPERATED THE SAME WAY,  
BY HAVING ROTATING KNIVES CUT THE SNOW AND FEED  
IT ONTO SCOOPS WHICH THREW IT OUT OF THE TOP OF  
THE SHROUD AS THE ASSEMBLY ROTATED AT ABOUT 200  
RPM. THE BLADES WERE POWERED BY A STEAM BOILER  
AND ENGINE ON BOARD WHICH REQUIRED A TENDER TO  
BE ATTACHED. MOTIVE POWER WAS PROVIDED BY AN  
ENGINE BEHIND THE TENDER.

**TICHY TRAIN GROUP**  
**PO BOX 220**  
**ALAMANCE NC 27201-0220**  
**WWW.TICHYTRAINGROUP.COM**

## ASSEMBLY

1. CEMENT ONE SIDEFAME TO EACH BOLSTER. LET DRY.
2. INSTALL NUTS FOR WEIGHT BY GLUING THEM CENTERED AROUND THE PINS ON THE FLOOR .
3. CEMENT END(8) TO SIDE (10). CEMENT END(7) TO SIDE(9). KEEP SQUARE.
4. CEMENT 2ND SIDEFAME TO EACH BOLSTER.
5. DRILL #76 HOLE THROUGH HEADLIGHT & BACKPLATE OF (14). SNAP (16) IN PLACE. YOU MAY TRIM PIVOT PINS AND GLUE IN PLACE WITHOUT DRILLING IF PREFERRED. CEMENT (15) TO (14).
6. CEMENT SIDE/END ASSEMBLIES TOGETHER.
7. CEMENT ROOFWALKS (11) TO ROOF (10). APPLY GLUE TO BACK OF PINS AFTER CHECKING FIT. BEND SIDE WALK DOWN & GLUE.
8. CEMENT ROOF TO BODY ASSEMBLY FROM INSIDE. GLUE SHROUD ASSEMBLY TO END (7).
9. CHOOSE APPROPRIATE DRAWBAR (12) FOR THE TENDER YOU INTEND TO USE. PLACE SMALL END OVER PIN IN FLOOR AND GLUE RETAINER (13) IN PLACE.
10. GLUE FLOOR IN PLACE.
11. PAINT ASSEMBLED CAR & TRUCKS. ALLOW TO DRY .
12. INSTALL WHEELSETS IN TRUCKS. USE SPRUE RUNNER FEEDING (3) TO INSTALL KINGPINS.
13. LETTER WITH YOUR CHOICE OF DECAL OR DRY TRANSFER.
14. PLACE IT ON THE SIDING READY TO SERVE.