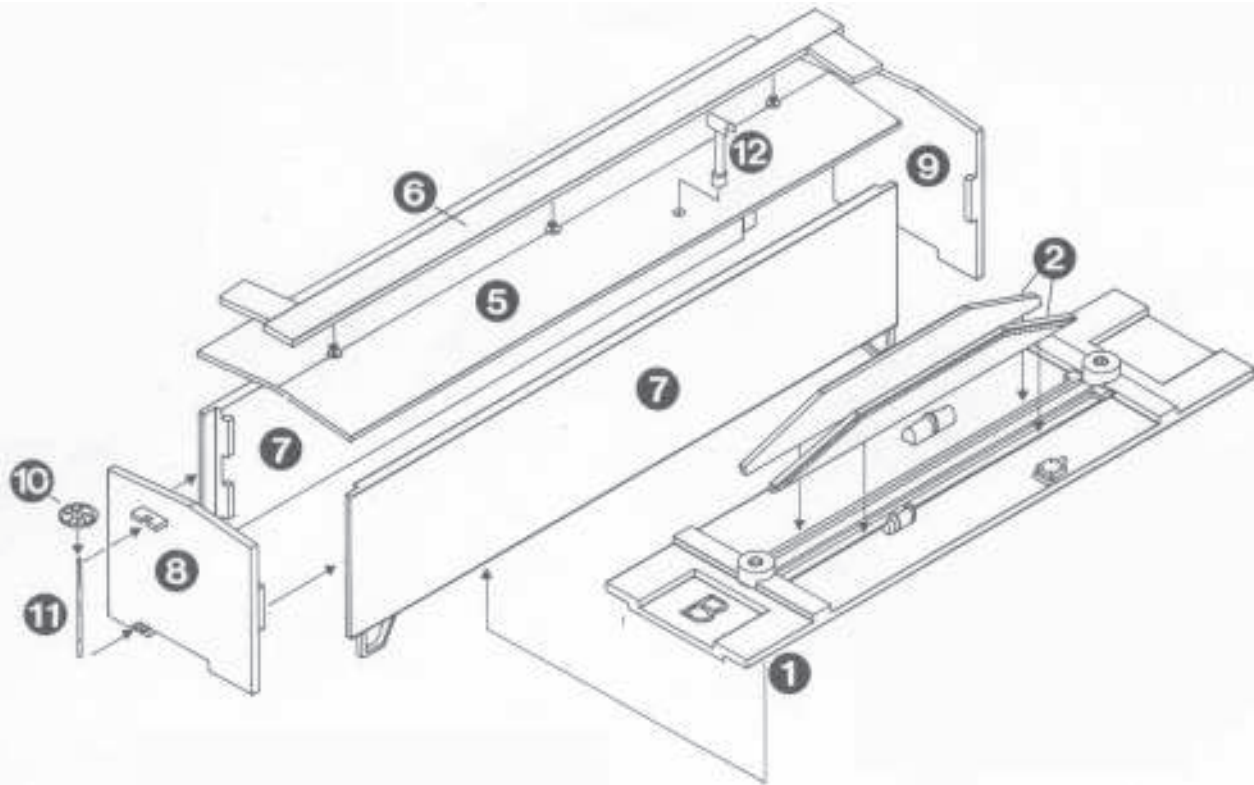


# KIT #2702 REPAIR CAR

## KIT #2703 CREW CAR



### PLEASE READ BEFORE ASSEMBLY

USE ONLY LIQUID CEMENT FOR PLASTICS  
APPLY CEMENT SPARINGLY WITH A SMALL BRUSH  
CAREFULLY TRIM AND FIT ALL PARTS BEFORE ASSEMBLY  
USE ONLY PAINT THAT IS COMPATIBLE WITH STYRENE  
PLASTIC. SPRAY PAINTING IS RECOMMENDED.  
TRIM PARTS CAREFULLY FROM THE RUNNERS WITH A  
SHARP POINTED MODELER'S KNIFE. DO NOT TWIST OFF.  
REMOVE PARTS ONLY AS NEEDED.

### PROTOTYPE HISTORY

CREW AND REPAIR CARS WERE USUALLY THE PRODUCT  
OF THE RAILROAD'S OWN CAR SHOPS. REBUILT FROM  
OLD BOXCARS, THEY PROVIDED VITAL TRANSPORT,  
STORAGE, WORKSHOP AND LIVING ACCOMMODATIONS  
FOR REPAIR AND MAINTENANCE CREWS AT THE SCENE  
OF ACCIDENTS, TRACK AND BRIDGE BUILDING, ETC.

WORK CARS WERE USUALLY SEEN IN TRAINS OF 4 OR  
MORE CARS, OFTEN INCLUDING A CRANE OR ROTARY  
SNOWPLOW, AND A CONVERTED BAGGAGE/COMBINE  
AND A CABOOSE.

MANY WORK CARS WERE LATER CONVERTED TO USE AS  
A SMALL YARD OFFICE OR FREIGHT HOUSE, BY REMOV-  
ING THE TRUCKS, PLACING THE CAR ON BLOCKS AND  
ADDING A PLATFORM AND OTHER DETAILS.

### ASSEMBLY

1. CEMENT FISHBELLY BEAMS (2) TO FLOOR (1)
2. INSTALL NUTS FOR WEIGHT BY GLUING THEM CEN-  
TERED ON THE FLOOR OVER THE TRUCKS.
3. CEMENT ENDS (8) AND (9) TO SIDE (7). CEMENT  
OPPOSITE SIDE (7) TO ASSEMBLY.
4. CEMENT ROOFWALK (6) TO ROOF (5). YOU MUST  
PUNCH OUT SMALL TABS IN THE ROOF HOLES.
5. TEST FIT SMOKEJACK (12). REAM HOLE FROM BACK  
WITH A MODELERS KNIFE AS NECESSARY. GLUE.
6. IF ROOF IS TO BE PAINTED THE SAME COLOR AS THE  
CARBODY GLUE IN PLACE. IF NOT WAIT.
7. CEMENT BRAKEWHEEL (10) TO BRAKE STAFF (11)  
WITH SUPERGLUE. CUT OUT BRAKEWHEEL WITH A  
SHARP KNIFE POINT. A SPARE IS PROVIDED.
8. "SNAP" AND CEMENT BRAKEWHEEL ASSEMBLY TO  
BRAKE END (8). USE SUPERGLUE.
9. PAINT ASSEMBLED CAR. ALLOW TO DRY WELL.
10. GLUE ROOF IN PLACE IF NOT DONE ALREADY.
11. ASSEMBLE YOUR CHOICE OF TRUCKS TO FLOOR  
USING PINS PROVIDED.
12. LETTER WITH YOUR CHOICE OF DECAL OR DRY  
TRANSFER.

**TICHY TRAIN GROUP**  
**PO BOX 220**  
**ALAMANCE NC 27201-0220**  
**WWW.TICHYTRAINGROUP.COM**